

Fusion The bond between people and space

Love how you work.®

Steelcase

Visit steelcase.com

Europe & Africa Espace Européen de l'Entreprise 1 allée d'Oslo BP 40033 Schiltigheim 67012 Strasbourg Cedex France
tel: +33 3 88 13 30 30 fax: +33 3 88 28 31 78

North America 901, 44th Street Grand Rapids MI 49508 USA
tel: +1 616 247 27 10 fax: +1 616 246 40 40

Asia Pacific & India 4th floor, N32 Kowa Bdg 5-2-32 Minami-Azabu Minato-Ku Tokyo 106-0047 Japan
tel: +81 3 3448 9611 fax: +81 3 3448 9617

Latin America 901, 44th Street Grand Rapids MI 49508 USA
tel: +1 616 247 27 10 fax: +1 616 246 40 40

Middle East Design House unit A2 PO Box 502596 Dubai Media City Dubai UAE
tel: +971 4 369 7838 fax: +971 4 369 7837

Product Design Fusion, Eastside, Sidewalk, Universal Pedestal & Universal Storage **Steelcase Design Studio** - Product Design Partito, Please visitor chair, Share It, Moby, Reply - **Stefan Brodbeck / www.brodbeckdesign.de**
Think **Glen Oliver Löw** - Product Design **Box Metro Design Group** Product Design **Pturio Steelcase Design Studio** in collaboration with **IDEO**.

DM716EN 04/11 © 2009 **Steelcase** ® All rights reserved. All specifications subject to change without notice.
Printed on at least 60% recycled paper. Cert no. BV-COC-858659. Printed in France by OTT Imprimeurs - Wasselonne.



Steelcase

Observations & Insights

1 / Observation: Footprints are shrinking.

Insight: Reconfigurations are occurring frequently.

2 / Observation: Collaboration is happening more and more.

Insight: Users need a place for personalisation and territoriality. A place that supports collaborative but also individual work.

3 / Observation: Users struggle a lot with their cable management.

Insight: People need seamless solutions for cable management nearby.



Collaboration at the desk happens more often.

Fusion The bond between people and space

The world of work is changing every day. The challenges of integrating people and space have never been greater. Company footprints are shrinking. Space is being reconfigured more frequently to optimise occupancy and reflect the changing requirements of businesses.

There is also increasing demand for office solutions that strike the right balance between the needs of people using their own workstations while working alongside colleagues.

That's why Steelcase has introduced Fusion, a desking platform designed for the entire range of application in today's workspace.

Why Fusion?

- 1 - It's a desking family comprising work surfaces, storage, desk organisation and cable management.
- 2 - It's a platform system that structures the whole office space, no matter what work styles are needed.
- 3 - It adapts to any company's culture with its modern or traditional design.



We observed that users struggle a lot with their cable management.



Meeting the challenge of people and space

People working in pairs or small groups are delivering better results for companies at a time when the efficient use of space is crucial.

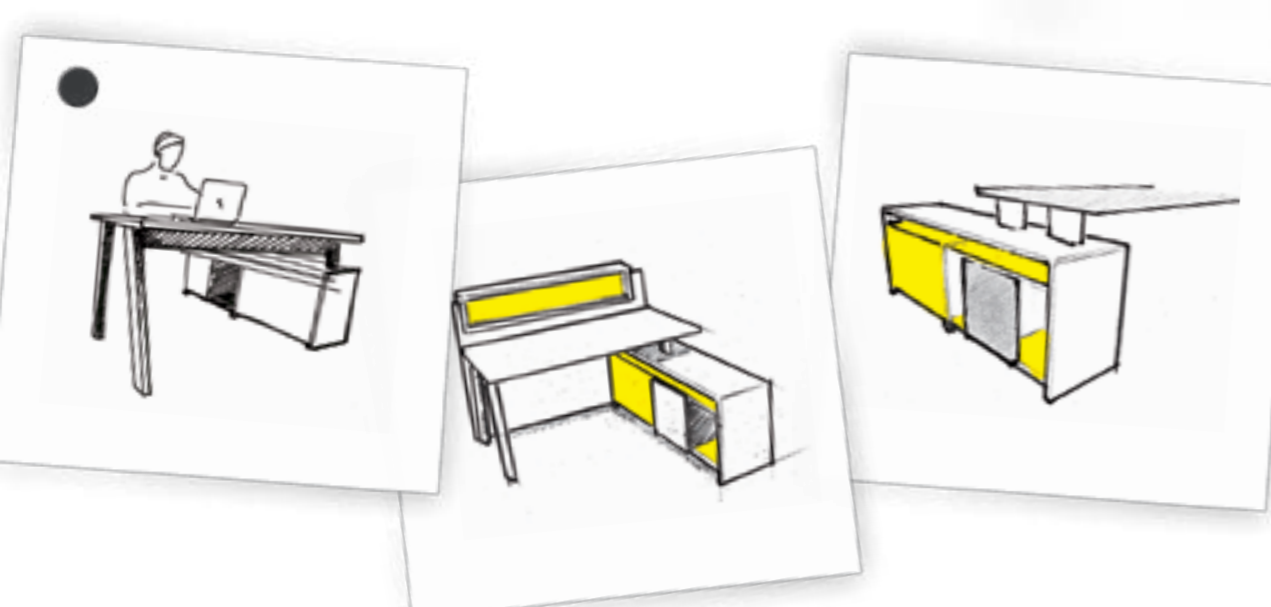
Staff also need individual workspace and the facility to organise it without facing mountains of files and documents on their desks or struggling with messy cable management. People and space. It's a challenge that Fusion meets successfully.

Fusion brings together the elements of worksurface, storage, desk organisation and cable management and enables the user to enjoy a personally configured workstation that dovetails with their colleagues' workspace. Fusion is an instant solution available in modern or traditional design, a choice of colours and with a range of storage solutions.



Installation in 30 seconds only

Office lay-outs are changing with increasing frequency. A desk system needs the flexibility to be assembled or dismantled easily and quickly. It takes only 30 seconds for 2 people for the basic installation of a Fusion desk which allows customers and users to reconfigure their office quickly - even over a weekend.



Worksurface

Available in various dimensions and materials. It enables the user to structure their office space flexibly and efficiently without using up unnecessary additional floorspace.

Top level organisation

Partito rails and screens, SOTO™ and our 1+1 organisational tools provide privacy and enable the user to find a place for everything. The Plurio single monitor arm, easily adapts to the Fusion desk - users can manage more information in less time. Plurio can go from a single, to a dual, to a triple, to multiples screens.

Cable Management

The focus on Fusion's easy installation and user comfort was a major factor in the development of the cable management system.

Legs

The worksurface/shared platform gives customers an aesthetic choice between C- or 4-leg.

Storage

The colourful storage units are an integral element of Fusion and provide individual or teamstorage. Units can replace a leg or be positioned next to the desk.

You, me, us

Fusion is a family of office furniture elements that can satisfy the entire range of applications required by companies in their office environments. It strikes the perfect balance between collaborative and individual work.



For a balanced work environment

People working in pairs is proving a successful arrangement for businesses. There is an increasing need to develop individual workspace that encourages the user to concentrate on its own work and interact with others without leaving their desks. This is the modern working environment that Fusion creates.



Straight top / 4-leg design / Cable apertures, large capacity cable tray / Duo lateral storage / Partito rail / Reply Air task chair.

Fusion may also be configured in a more traditional office style. If they wish, customers can select their main choices from a range of table tops, legs, cable management, storage, desk organisation and an integrated and comfortable office solution will be created for them.

Users can also organise their own workplace with the addition of Partito rails and screens, lateral storage and handy 1+1 Worktools.



Asymmetric corner top / Supporting pedestals / C-leg design / Cable aperture, large capacity cable tray / Partito rail / Reply task chair.

Comfort

At Steelcase, we use ergonomics to respect people's different sizes and ways of working, designing the workstation for individual needs. We take a user-centred approach, asking people what they need and what they like, observing what they do. For many people ergonomics means sitting on a suitably adjusted chair.

But that is only part of the picture. It is also essential that the entire workstation is ergonomically sound. We have ensured Fusion succeeds ergonomically by being available with height adjustable legs.



Straight table top / Height adjustable C-leg design / Large capacity cable tray / Partito rail with 1+1 Worktools / 32 Seconds task chairs.



The height that's right for you

Simply adjust your table to the desired height from 650 to 850mm.

Perfect for small and large teams

The drive to create more collaborative working spaces is gathering pace as companies recognise that people working in small groups are delivering improved, tangible business results.

Fusion encourages and facilitates this way of working. The ergonomic credentials of Fusion will ensure user comfort while neat cable management will help create tidy workplaces and support greater cabling capacity. With the addition of Partito rails and screens, people can focus on their own work, communicate easily with their colleagues and at the same time help users with the organisation of their spaces.



Maximising people performance amongst large teams, particularly in call centres, is crucially important for businesses.

Pentagon table tops / C-leg design + shared leg / Cable aperture, standard vertical cable management, large capacity cable tray / Partito Screen with 1+1 Worktools / Reply task chairs.



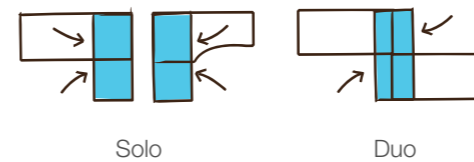
Symmetric corner top / C-leg design / Cable aperture, large capacity cable tray, standard vertical cable management / Partito Screen with 1+1 Worktools / 32 Seconds task chairs.

Storage for all

People need quick and easy access to storage that helps keep workstations free from office clutter and help them manage active work, anticipated projects, archived information. Fusion has its own integrated storage, matching the design of the range. Thanks to its 1 or 2 sided door - opening, it can either be used for personal or shared storage.



Optima table top / Shared C-leg design / Top access, standard vertical cable management, large capacity cable tray / Duo lateral storage / Partito rail with 1+1 Worktools / Reply Air task chairs.



Personal and team storage solutions

Solo lateral storage: usable on one side.
Duo lateral storage: usable on two sides.

Fusion Bench

Fusion offers an excellent option for companies looking to optimise team spaces in their offices with the Fusion Bench solution.

Thanks to its contemporary shape, its simplicity and flexibility, Fusion Bench makes it easy to build larger configurations in team or individual spaces without compromising valuable square metres.



Worksurface

Available in various materials and dimensions.

Top level organisation

Partito rail and shelf.

Cable Management Solutions

On the desk, horizontally or vertically.

Legs

The Fusion Bench exists as 4-leg version.

Fusion Bench Straight freestanding + extensions / Vertical cable cover, Cable tray, Melamine Top access / Partito screen / 1+1 Worktools / Moby / Think task chair.

Individual and collaborative spaces

Fusion Bench encourages and facilitates collaborative working whilst at the same time enabling people to stay focused on their work. Individually or shared Storage solutions integrated into the structure help optimise space. Power and data is easily and quickly accessible in the desk.

Users enjoy the benefits of larger individual working surfaces and have peace and space to concentrate while working with colleagues.



Fusion Bench for 2 with Solo Storage / Cable tray / Top access / Partito rail / Worktools 1+1 / SOTO™ LED lamp / Reply Air task chair.

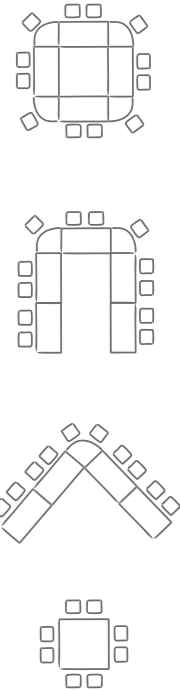
Fusion Bench offers also the option of colourful storage units as integral elements. They provide individual or team storage. Units can replace a leg or be positioned next to the bench or desk.



Fusion Bench for 4 with Solo version 2 / Lateral Storage + Vertical cable cover, Cable tray, Top access / Partito rail / 1+1 Worktools / SOTO™ LED lamp / Share It / Please task chair.

At the heart of your meeting room

Fusion covers the full spectrum of office requirements, including elegant and simple solutions for meeting and conference rooms. The elements can be easily adapted to provide a variety of configurations and are available with veneer or protech finishes. Fusion's design and cable management also make the use of laptops and conference call facilities during meetings straightforward.



Squared conferencing tops + extensions / Shared table leg design / In and Out cable cut out, vertical cable spine, horizontal cable net / Reply Air task chairs.

Fit for team leaders

While Fusion is suited to people working alongside colleagues, it can also be configured as a classic individual workstation, ideal for team managers.

Materials, such as veneer, create a prestigious yet functional appearance and integrated storage units help ensure the workstation enjoys a streamlined and uncluttered look.



Contact table top / C-leg design / Top access, standard vertical cable management, large capacity cable tray / Please task and visitor chairs.

A Fusion welcome

Fusion offers an intelligent and effective solution for office entrance areas, lobbies or reception counters.

A welcome counter can easily be attached to a desk and storage units. The result is a smart, colourful and tidy unit giving visitors an attractive welcome and all important first impression.



Corner top with extension / C-leg design / Fusion Welcome Counter / Please task chair / Eastside visitor chairs.

Pride of place

A tidy office is a dream that many companies and their staff would dearly like to fulfil. Cluttered desks and loose cables are all too often the main barrier.

Fusion's desk organisation and a variety of cable management options help people and companies take a significant stride towards the goal of an office that is their pride and joy.

Worksurfaces can be selected with either rounded or straight edges and there is a choice of C-leg or 4-leg support. "On surface" cable management is available with outlet boxes and cut-outs. Horizontal and vertical management is provided through a range of unobtrusive trays, brackets, nets and spines.

Fusion's design principles encourage structure and cleanliness and make a tidy office a realistic dream.

Fusion Desk / worksurfaces edge



C4116

Rounded
2 rounded corners 35mm on the user side + 2 standard corners 90°/2mm visitor side. For Protech worksurfaces only.



C4117

Straight
4 standard corner 90°. For veneer and Protech worksurfaces.

Fusion Bench / worksurfaces



C4117

Straight
4 standard corner 90°. For veneer and Protech worksurfaces.

Fusion Desk / legs



C4114

C-leg aesthetic



C4112

4-leg aesthetic

Fusion Bench / legs



C5069

4-leg aesthetic

Organisation 3rd level / ergonomics



C4134

Partito Rail



C4119

Partito Rail



C4120

Partito Screen

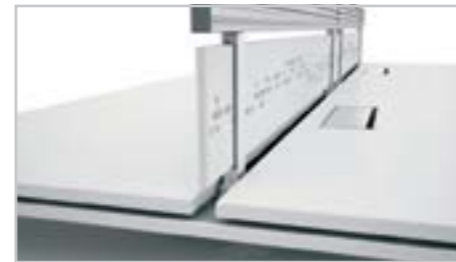


C4140

Partito Shelf

Partito Rail / Shelves and Screen are fixed via a C-clamp on Fusion Desks.

Benching applications



C5065

Partito Rail / Shelves and Screen are fixed on the structure.



C5064

Plurio



Single, Dual, Triple and One over One... display supports.

Cable management on the worksurface

Protech worksurfaces for Fusion Desk and Fusion Bench



B6009

Top access aluminium



B6008

Top access Protech



C4115

Cable aperture with cover only for Fusion Desk



C5069

Sliding top on Fusion Bench only



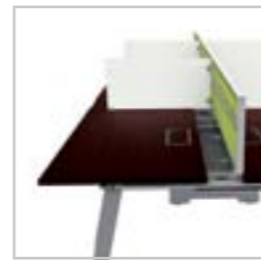
C5640

Integrated Top Access, open



C5641

Integrated Top Access, closed



C5061

Sliding top on Fusion Bench only

Veneer worksurfaces / Only for Fusion Desk



B3701

Cable aperture



A1664

Top access

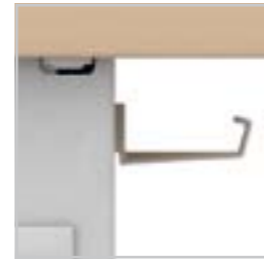


C4138

On the Fusion Desk C-leg aesthetic

Horizontal cable management

Only for Fusion Desk



C4136

Cable brackets
In standard (X3)



C4114

Cable tray
In option



C4135

Cable basket
In option



C5062

Horizontal cable tray
In option



C4141

Cable net
In option



C5066

Cable tray / Large capacity
In option

Laptop security

Only for Fusion Desk

Vertical cable management

Only for Fusion Desk

Only for Fusion Bench



C4113

C-leg vertical cable riser
Fixed to the leg in standard



C4110

4-leg vertical cable clips
2 per leg clipped to the leg in standard



C4143

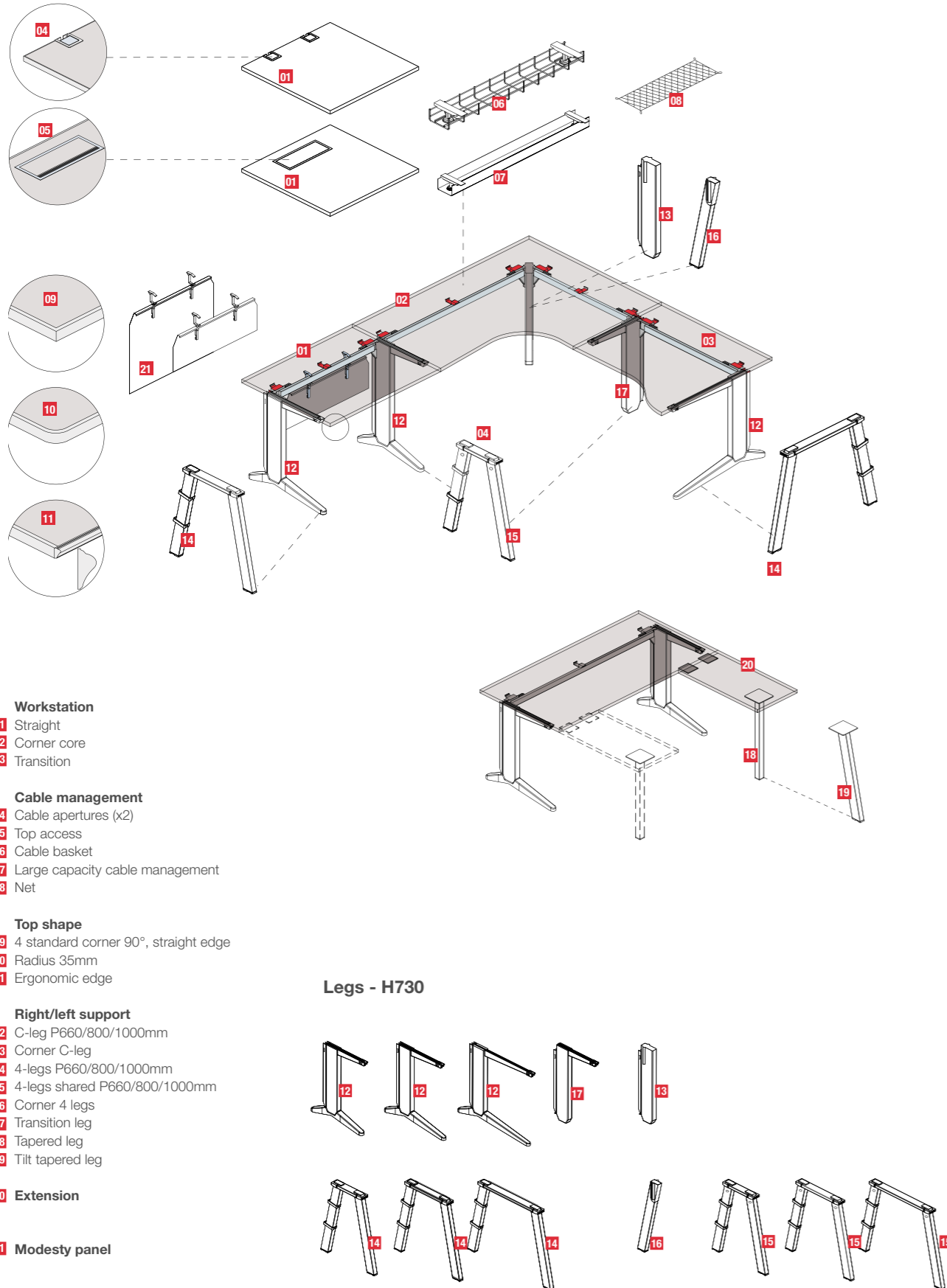
Cable spine
In option



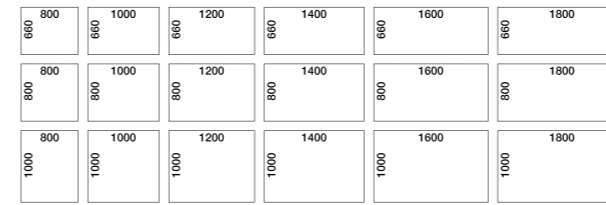
C5063

Vertical cable cover for the Bench
Fixed to the central leg in option

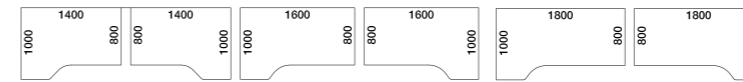
SOL Desk



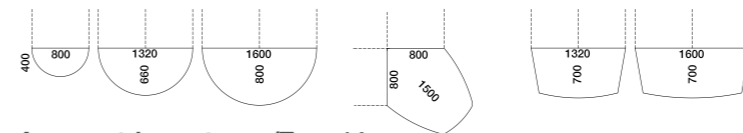
Straight/Type 10*



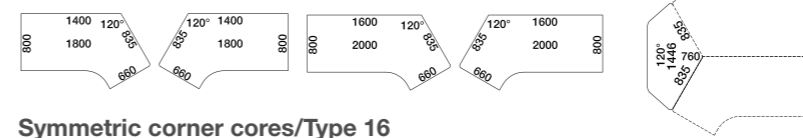
Optima/Type 25*



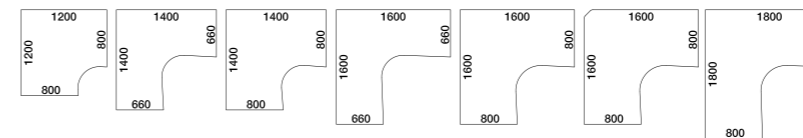
Other extension tops*



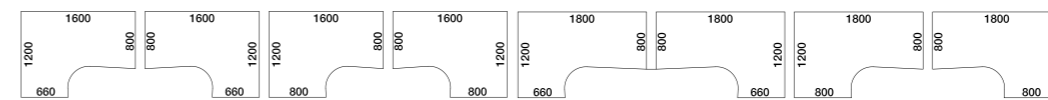
Asymmetric pentagon/Type 14



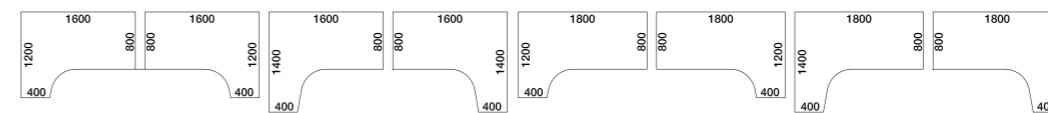
Symmetric corner cores/Type 16



Asymmetric corner cores/Type 16



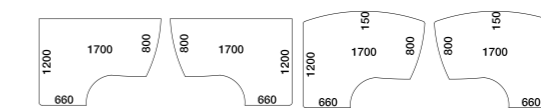
Compact corner cores



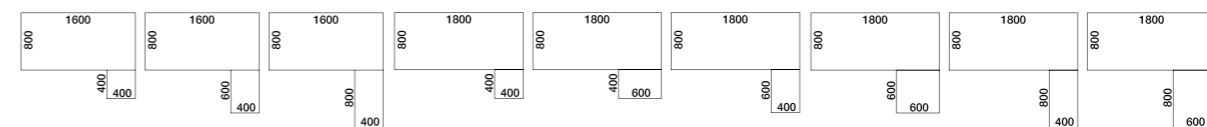
Reception top*



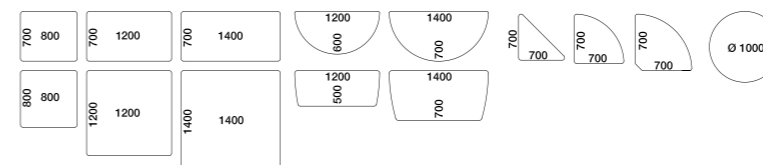
Asymmetrical compact corner cores/Type 16*



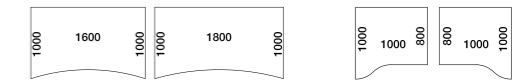
Straight top + Extension



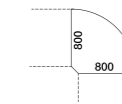
Conferencing*



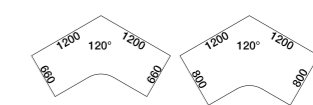
Compact double wave/Type 4 Transitions



90° junction*



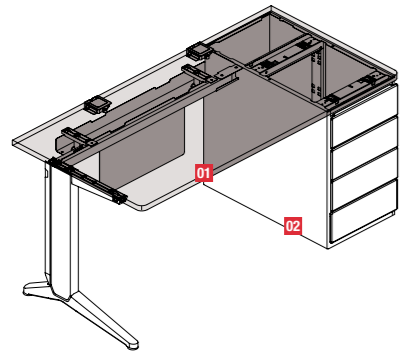
120° symmetrical pentagon/Type 13



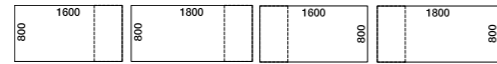
Dimensions in mm
 *Available in veneer finishes

SOL Desk

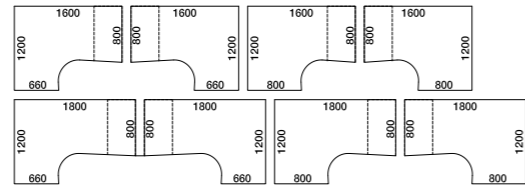
Storage



Straight for supporting pedestal/Type 10*

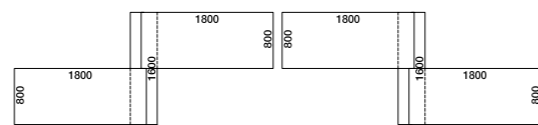
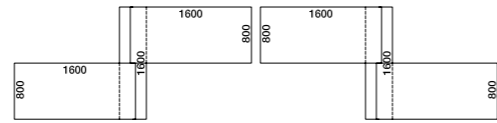
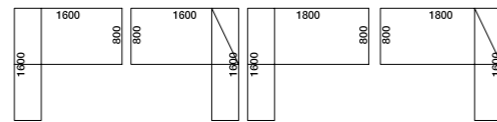


Asymmetric corner cores for use with supporting pedestal/Type 16*

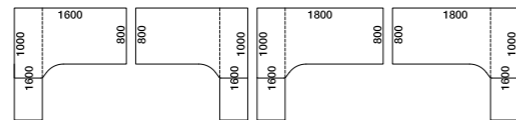


*Only for Universal Pedestal 12HE, Depth 800mm

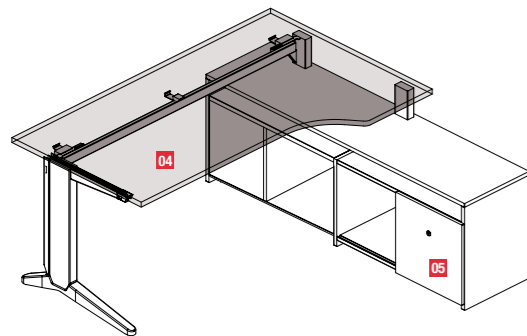
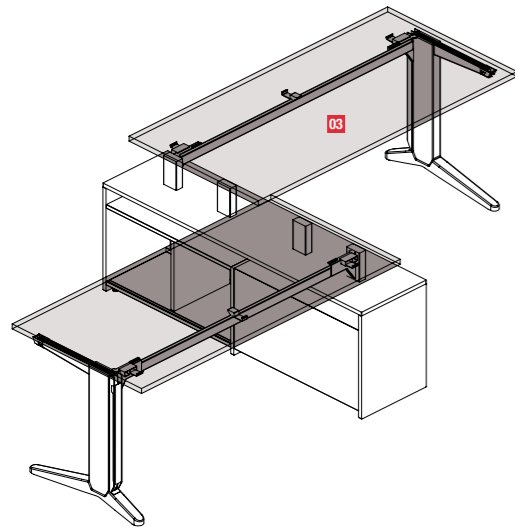
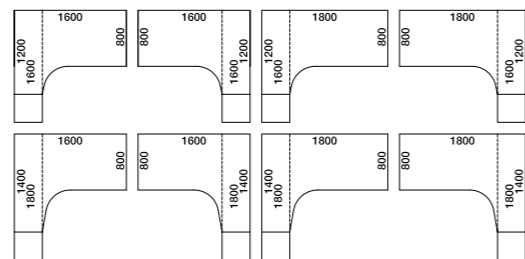
Straight/Type 10 with storage



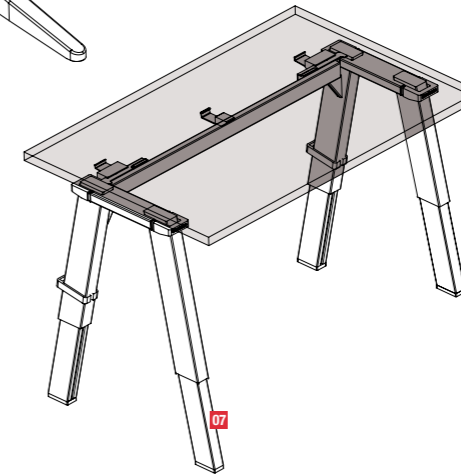
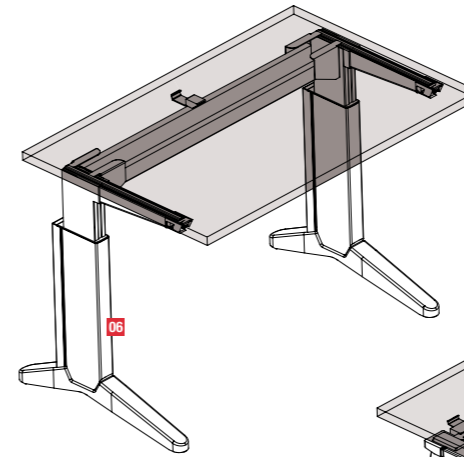
Optima tops with storage



Compact corner core with storage



Height adjustability - From 650 to 850mm



Workstation for supporting pedestal

- 01 Workstation for supporting pedestal
- 02 Supporting pedestal (Universal Pedestal)

Lateral storage

- 03 Duo lateral storage + 2 tops * Straight/Type 10
- 04 Solo lateral storage + 1 top * Optima/Type 25
- 05 Sliding door for lateral storage

Height adjustability

- 06 C-leg HA
- 07 4-legs HA

Partito rail

- 08 Partito rail

Partito shelf

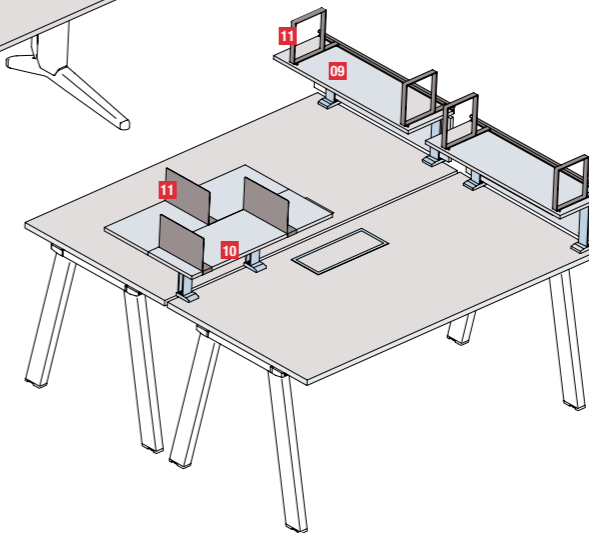
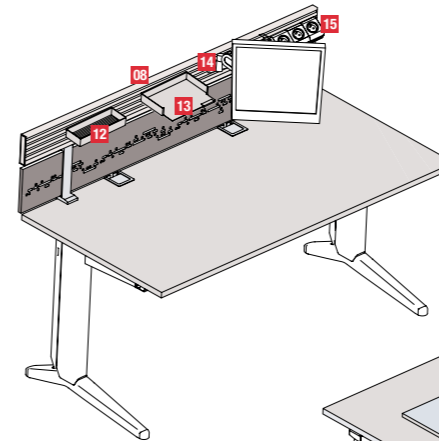
- 09 Single shelf
- 10 Shared shelf
- 11 Book-ends

Worktools

- 12 1+1 long tray
- 13 1+1 A4 letter tray across
- 14 Forward Arm
- 15 Connecting Hub

Dimensions in mm

3rd level organisation



SOL Bench

Workstation

- 10** Straight/extension
- 11** Bench for 2 with Duo Storage
- 12** Lateral Extension

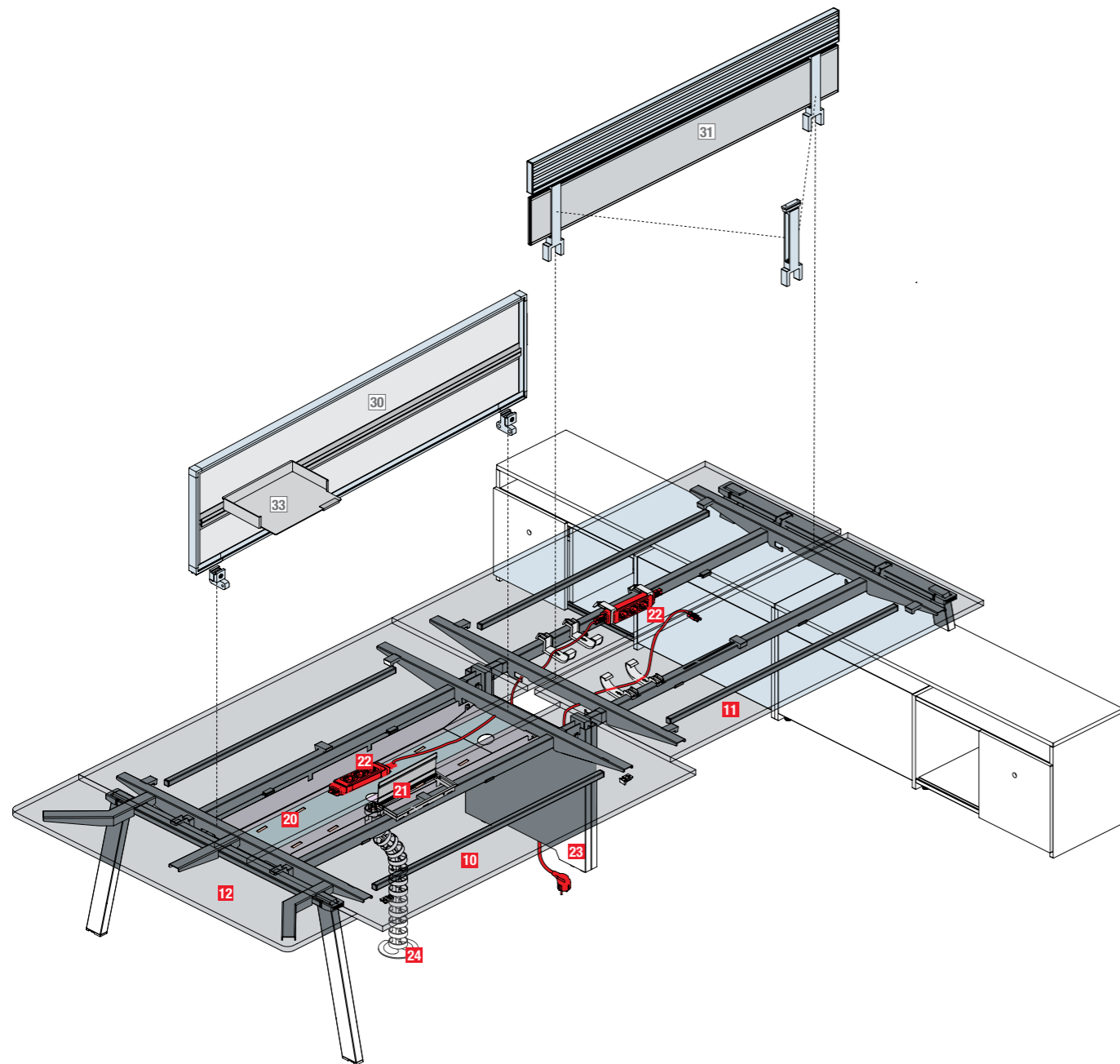
Cable management

- 20** Horizontal Cable tray hinged (option)
- 21** Top access Aluminium (option)
- 22** Triple power socket with 3m cable
- 23** Cable cover for middle leg (option)
- 24** Flexible cable spine

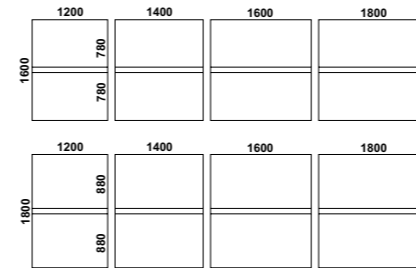
Dimensions in mm

Organisation 3rd level

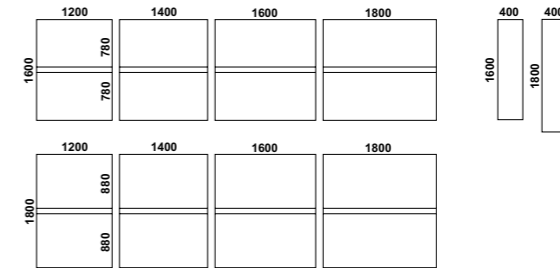
- 30** Partito Screen H463mm on desk
- 31** Partito Rail for bench (refer to Partito Rail)
- 33** 1+1 A4 letter tray across (refer to worktools)



Bench with Extension Storage

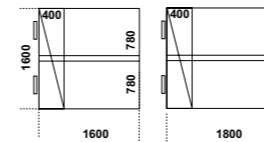
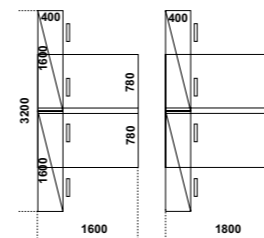


Bench with Freestanding Storage

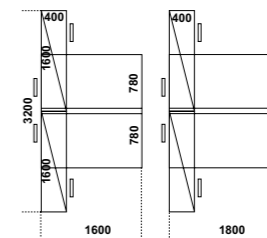


Bench with Lateral Extension

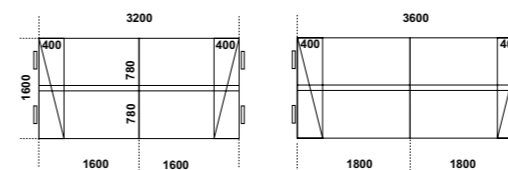
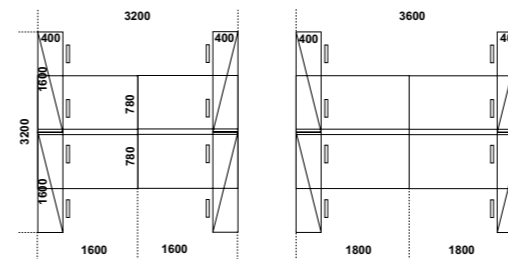
Bench for 2 with Solo Storage



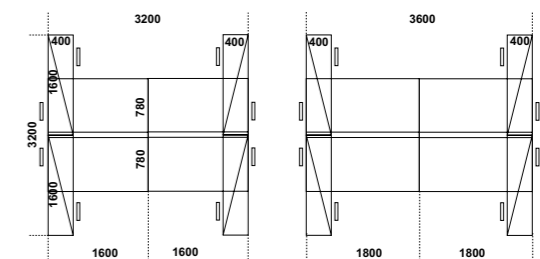
Bench for 2 with Duo Storage



Bench for 4 with Solo Storage



Bench for 4 with Duo Storage



Environmental performance

In 2000 **Steelcase was the first company to apply the Life Cycle Assessment (LCA)** within its industry, a method based on ISO 14040 / 14044 and selected by the European Union to quantify the environmental impacts of products throughout their life cycle: materials extraction, production, transportation, use and end of life.

We are transparently publishing the results of our LCA through an **Environmental Product Declaration (EPD)**. You can ask for **Fusion's EPD** and find out its impact on CO₂, waste and 6 other environmental criteria.

Continuous improvement: Fusion our latest environmental product generation

Thanks to the quantitative results of our LCA, we can set the stage for further improvements when designing or re-visiting products. Compared to Doue, our former desking generation, we significantly reduced Fusion's impacts on three key areas: materials, transport and recycling.



Life cycle

End of life

99% recyclable.

Only one plastic (PP): easier to sort and recycle.

100% recyclable cardboard and LDPE film for packaging.

Quick and easy disassembly: snap fit system for most of the assemblies.
Separation of all the materials in 2'20 with simple tools.

Plastic parts clearly labelled for easy sorting and effective recycling.

Use

Designed for a long product life.

Replaceable parts.

Transport

Manufactured close to customers, in Europe.

Minimised packaging weight and volume: only 2 boxes compared to 3 for Doue, to reduce the number of trucks:

- less CO₂ emissions (53 tonnes CO₂-eq avoided / year**),
- less fuel (13 000 litres avoided / year**).

* 65% less than PA6, 19% less than ABS during its manufacture (i.e. raw material extraction and transformation).

** for 83000 desks sold/year (data references for calculation: Ademe - French EPA).



Materials

21% recycled content by weight.

No hazardous materials.

Plastic parts are only made of PP (releasing less CO₂ than most of other plastics).*

Packaging: LDPE film and expanded PE (30% recycled content), cardboard (45% recycled content).

Water-based inks without solvent on paper and packaging.

Production

ISO 14001 certification for the Rosenheim (Germany) and Wisches (France) sites.

Powder-coat painting: VOC-free and free of heavy metals.

Water-based glue.

You require official certifications. We can deliver them.



Environmental Product declaration (EPD). Based on ISO/TR 14025, its purpose is to communicate precise and verifiable information about a product's impact on the environment at all stages of its life cycle.



"NF Environment" certification. Based on ISO 14024, this French voluntary certification mark is awarded to products that have a reduced effect on the environment.



PEFC. The wooden components are labelled with PEFC (Programme for the Endorsement of Forest Certification), ensuring that wood originates from sustainably managed forests.



E1. The particle boards comply with the low emission "E1 standard" and even the new "EO,5", guaranteeing a very low level of formaldehyde emissions.

You care about the end of use of your furniture. We offer options - be it refurbishing, take-back, charitable donation or recycling.

Visit steelcase.com to discover more about Steelcase's unique ecodesign strategy.